



MEAN WELL

SWITCHING POWER SUPPLY

ISO-9001 CERTIFIED MANUFACTURER

ADD-155 SERIES

- .LOW COST, HIGH RELIABILITY
- .105°C OUTPUT CAPACITOR
- .INTERNATIONAL AC INPUT RANGE
- .HIGH EFFICIENCY, LOW WORKING TEMPERATURE
- .SOFT-START CIRCUIT, LIMITING AC SURGE CURRENT
- .SHORT CIRCUIT, OVERLOAD, BATTERY PROTECTED
- .COMPACT SIZE, LIGHT WEIGHT
- .100% FULL LOAD BURN-IN TEST
- .BUILT IN EMI FILTER,LOW RIPPLE NOISE



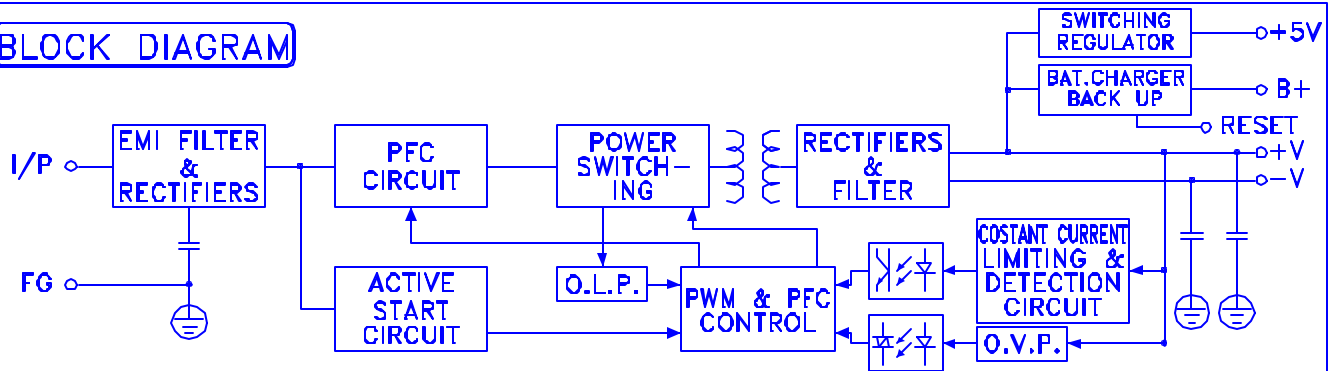
MODEL	ADD-155A			ADD-155B			ADD-155C		
	CH1	CH2	CH3	CH1	CH2	CH3	CH1	CH2	CH3
DC OUTPUT VOLTAGE	13.8V	5V	13.3V	27.6V	5V	27.1V	54V	5V	53.5V
OUTPUT V. TOLERANCE	±2%	±3%	-----	±1%	±3%	-----	±1%	±5%	-----
OUTPUT RATED CURRENT	9.5A	3A	0.5A	4.5A	3A	0.5A	2.3A	3A	0.2A
OUTPUT CURRENT RANGE	0-10.5A	0-3A	-----	0-5A	0-3A	-----	0-2.5A	0-3A	-----
RIPPLE & NOISE (Vp-p)	150m	100m	-----	200m	100m	-----	240m	100m	-----
LINE REGULATION	±1%	±0.5%	-----	±1%	±0.5%	-----	±1%	±0.5%	-----
LOAD REGULATION	±1%	±2%	-----	±1%	±2%	-----	±1%	±2%	-----
DC OUTPUT POWER	152.75W			152.75W			149.9W		
EFFICIENCY	78%			81%			81%		
DC VOLTAGE ADJ.	CH1:12-14.5V			CH1:24-29V			CH1:48-58V		
INPUT VOLTAGE RANGE	88~264VAC 47~63Hz ; 124~370VDC								
AC CURRENT	2.5A/115V 1.5A/230V								
INRUSH CURRENT	COLD START 20A/115V 40A/230V								
LEAKAGE CURRENT	<1mA/240VAC								
OVERLOAD PROTECTION	CH1 B:CH2:105%-135% CH3:0.51-0.9A TYPE:CONSTANT CURRENT LIMITING RESET:AUTO RECOVERY								
OVER VOLTAGE PROTECTION	CH1:115%~135% TYPE:SHUTDOWN								
BATTERY LOW PROTECTION	10V±0.8V			19.5V(+1.5V, -1V)			39V±2V		
TEMP. COEFFICIENT	±0.03% / °C (0-50°C) ON +5V OUTPUT								
SETUP,RISE,HOLD UP TIME	2s, 90ms, 16ms / 115VAC 1s, 90ms, 20ms / 230VAC								
POWER FACTOR	PF>0.92								
VIBRATION	10-500Hz, 2G 10min. / 1cycle PERIOD FOR 60min. EACH AXES								
WITHSTAND VOLTAGE	I/P-O/P:3KVAC I/P-FG:1.5KVAC O/P-FG:0.5KVAC								
ISOLATION RESISTANCE	I/P-O/P,I/P-FG,O/P-FG:500VDC / 100M Ohms								
WORKING TEMP., HUMIDITY	-10°C~+60°C(REFER TO OUTPUT DERATING CURVE), 20%-90% RH								
STORAGE TEMP., HUMIDITY	-20°C~+85°C, 10%-95% RH								
DIMENSION	199*110*50mm CASE:906								
WEIGHT	1Kgs								
SAFETY STANDARDS	UL1950, TUV EN60950 APPROVED								
EMC STANDARDS	CISPR22(EN55022)CLASS B,EN61000-4-2,3,4,5,6,8,11;ENV50204,EN61000-3-2,-3								

NOTE :

- 1.ALL PARAMETERS ARE SPECIFIED AT 230VAC INPUT, RATED LOAD, 25°C 70% RH. AMBIENT.
- 2.TOLERANCE GINCLUDE SET UP TOLERANCE, LINE REGULATION, LOAD REGULATION.
- 3.RIPPLE & NOISE ARE MEASURED AT 20MHZ BY USING A 12" TWISTED PAIR TERMINATED WITH A 0.1uF & 47uF CAPACITOR.
- 4.LINE REGULATION IS MEASURED FROM LOW LINE TO HIGH LINE AT RATED LOAD.
- 5.LOAD REGULATION IS MEASURED FROM 20% TO 100% RATED LOAD, AND OTHER OUTPUT AT 60% RATED LOAD
- 6.EACH OUTPUT PROVIDE UP TO MAXIMUM CURRENT, BUT TOTAL LOAD CAN NOT EXCEED MAX. OUTPUT POWER.
- 7.CH3 Bat. CHARGER VOLTAGE.

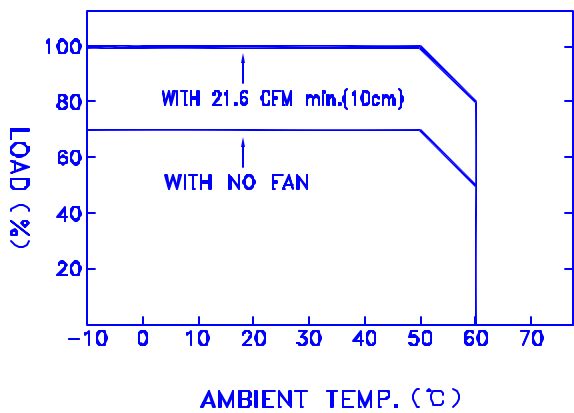
ADD-155 SERIES

BLOCK DIAGRAM



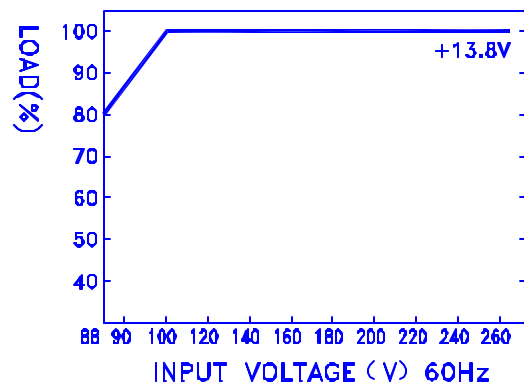
PFC fosc: 67KHz
PWM fosc: 134KHz

OUTPUT DERATING VS T_a



OUTPUT DERATING VS INPUT VOLTAGE

MODEL : ADD-155A



DIMENSION (mm)

- ☒ CASE : 906
- ☒ TERMINAL PIN NO. ASSIGNMENT
 - ☒ PIN 1,2 : AC INPUT
 - ☒ PIN 3 : FG \perp
 - ☒ PIN 4 : +5V
 - ☒ PIN 5 : BAT. +
 - ☒ PIN 6 : BAT. -/COM
 - ☒ PIN 7 : DC OUTPUT COM
 - ☒ PIN 8 : DC OUTPUT +V

